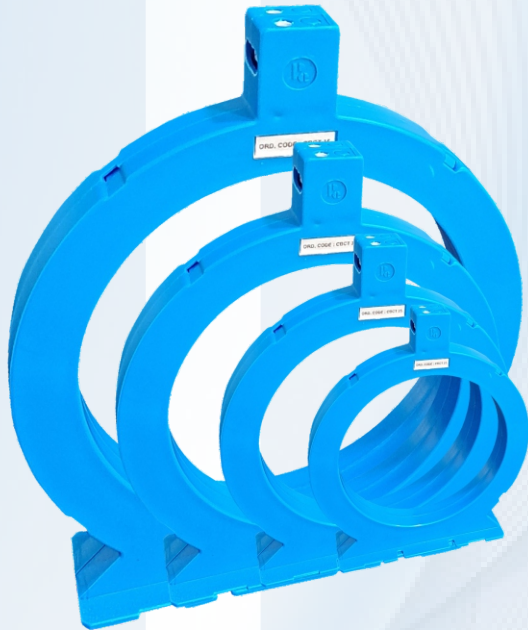




## CORE BALANCE CURRENT TRANSFORMER



### Ordering Codes:

Mode	Inner Diameter
PE-CBCT-35	35mm
PE-CBCT-70	70mm
PE-CBCT-120	120mm
PE-CBCT-210	210mm
PE-CBCT-310	310mm
Linear Tolerance- +/- 0.1mm	

### DESCRIPTION

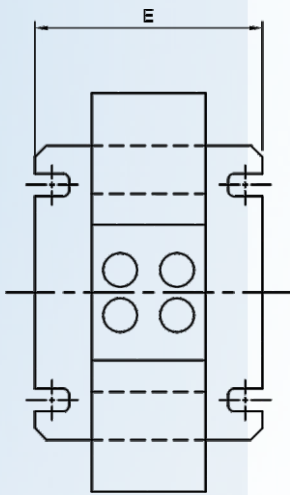
A range of Precise compact case “Core Balance Current Transformers” suitable for sensing of earth leakage currents from 30mA up to 30A with built in terminal covers suitable to use with PE-ELR-30.

### SALIENT FEATURES

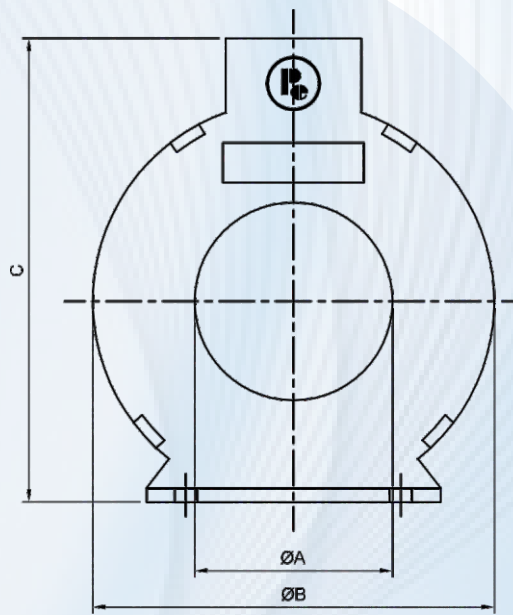
- ❖ Flame retardant high impact molded Case for better Insulation and Strength
- ❖ Integral wires terminals cover with perfect IP protection.
- ❖ Compact Design suitable for Panel Mounting
- ❖ Perfect combination to use with Precise ELR30.

### TECHNICAL SPECIFICATION

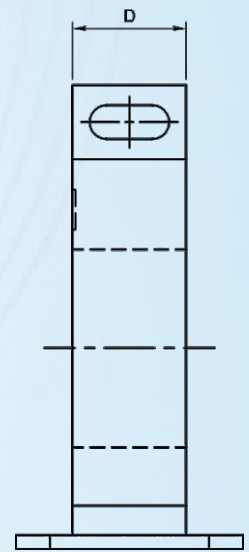
Highest System Voltage	0.72 kV
Insulation Voltage	3 kV/ 1 min
System Frequency	50/60 Hz
MOPC	10 Amps (±5%)
Sec. Relay Setting	10 mA
Temperature	0°C to 55°C: Operating Temp -20°C TO 70°C: Storage Temp.



TOP VIEW

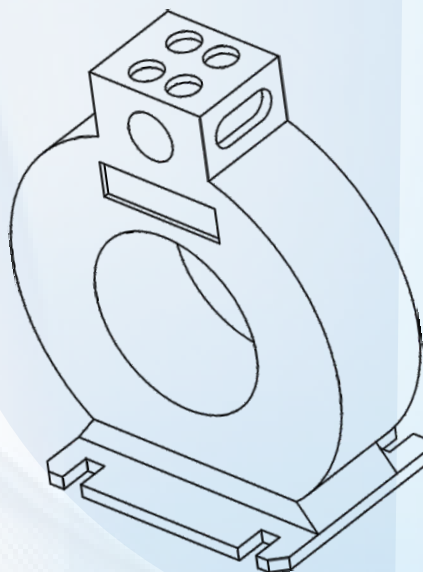


FRONT VIEW



SIDE VIEW

CBCT TYPE	OVERALL DIMENSIONS (mm)				
	A	B	C	D	E
PE-CBCT-35	35	75	100	20	40
PE-CBCT-70	70	110	135	20	40
PE-CBCT-120	120	160	185	20	40
PE-CBCT-210	210	270	270	25	55
PE-CBCT-310	310	380	385	25	65
TOLERANCE	LINER TOLERANCE $\pm 0.1\text{MM}$				



ISOMETRIC VIEW